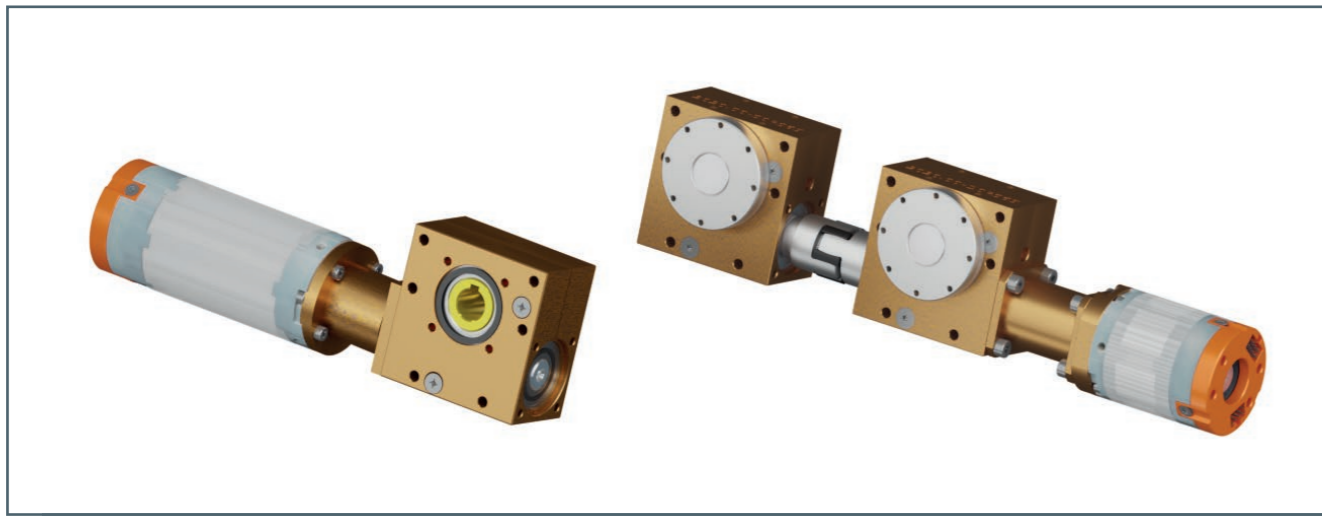


BLDC motors with worm gearbox

INFO DATA SHEET



Our BLDC motor with worm gearbox offers you a number of advantages. Thanks to the high efficiency and performance of the brushless DC motor, you can save energy and achieve powerful performance at the same time. The worm gear ensures precise and reliable power transmission as well as high transmission ratios, ideal for applications where a large torque boost is required

- High efficiency and performance
- Precise and reliable power transmission
- Can be freely combined with the gearboxes available on the market
- Option for compact design without clutch
- Energy saving and high performance

Thanks to Ketterer's flexibility, we can offer customized solutions that precisely meet your individual requirements.

Please contact us for further information.

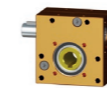
Combinatorics BLDC motors (DC)

	t-Rex 3200-I-44-47		t-Rex 3200-I-44-89		t-Rex 3206-I-65-51	t-Rex 3206-I-65-86	
Size	44		44		65	65	
Length	47		89		51	86	
Winded with focus	max. torque	max. speed	max. torque	max. speed	max. speed	max. torque	max. speed
Rated voltage (VDC)	24 - 48	24	24 - 48	24 - 36	24 - 48	24 - 48	24 - 48
Rated power (W)	41 - 74	48	31 - 61	67 - 78	90 - 155	68 - 140	150 - 248
Rated speed (rpm)	2000 - 4664	4600	600 - 1390	2375 - 3770	1785 - 3895	507 - 1123	1100 - 2360
Rated torque (Nm)	0.2 - 0.15	0.1	0.5 - 0.4	0.3 - 0.2	0.5 - 0.4	1.3 - 1.9	1.3 - 1
Stall torque (Nm)	1 - 1.5	1.1	1.8 - 2.9	2	2.5	6.7 - 9	7 - 5
Item.-Nr.	3200.00-3000	3200.00-3002	3200.00-0005 3200.00-0006	3200.00-0004 3200.00-0009	3206.00-1000	3206.00-0003 3206.00-0005	3206.00-0004

Worm gearbox

Ket-Motion 2020* Ket-Motion 2020* Ket-Motion 2020 Ket-Motion 2020* Ket-Motion 2020* Ket-Motion 2030 Ket-Motion 2030
Ket-Motion 2030* Ket-Motion 2030* Ket-Motion 2030 Ket-Motion 2030* Ket-Motion 2030*

* Only a speed-reduced application possible



i= 1:1 bis 65:1

Reduction range: i=1 bis i=65
Empfohlene Eingangsdrehzahl: max. 1.000 rpm
Recommended input speed: from 0.2 Nm to 5.4 Nm
Duty cycle: 20% at 5 min (designed for intermittent operation)
Backlash: 1° DEG + 0.5° DEG
Variance: With a drive journal or with through worm gear
Housing made of aluminum, for 2020

Products from other manufacturers on request

Possible applications:

- **Electric swivel mechanisms for inspection and maintenance access:** For machines and systems where access flaps or doors need to be moved. The swivel mechanism can handle large loads handle large loads with low maintenance.
- **Conveyor and roller belts:** For high transmission ratios, precise power transmission and energy-efficient performance.
- **Rotary movements in mechanical engineering:** Highly reliable and durable drive solution with high efficiency and precision with high torque.

