

# Crank-handle 5187



## Description

Crank-handle grip and crank extension are made of glass-fibre reinforced synthetic material.

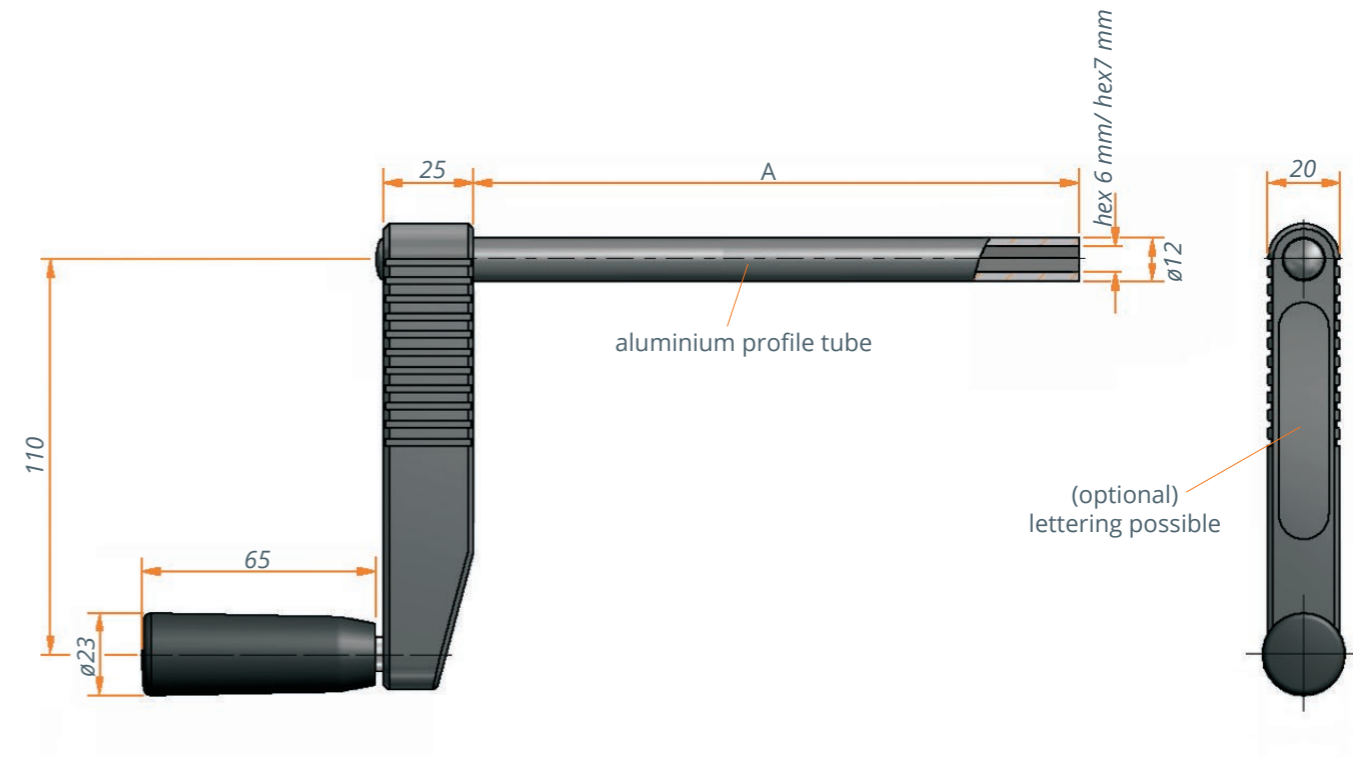
## Special features

- Modern design
- On request, the type and the length of the hexagonal bolt as well as the colour of the crank body can be produced to customer specifications
- On request, an own logotype is possible

## Variant key

5187.00- V XX A XXX

- Length of crank extension: XXX in mm
- Type of profile tube XX: 01 Inner hex 6 mm  
02 Inner hex 7 mm



## Technical data

Model	5187.00-V01AXXX	5187.00-V02AXXX
<b>Crank extension</b>	Customer specific	Customer specific
<b>Type of profile tube</b>	Inner hex 6 mm	Inner hex 6 mm
<b>Material</b>	Synthetic crank body and handle	Synthetic crank body and handle
<b>Length A</b>	Customer specific	Customer specific
<b>Colour</b>	Black (more colours available on request)	Black (more colours available on request)

Application example

