

Crank-handle 5186



Description

Crank-handle grip and crank extension are made of glass-fibre reinforced synthetic material.

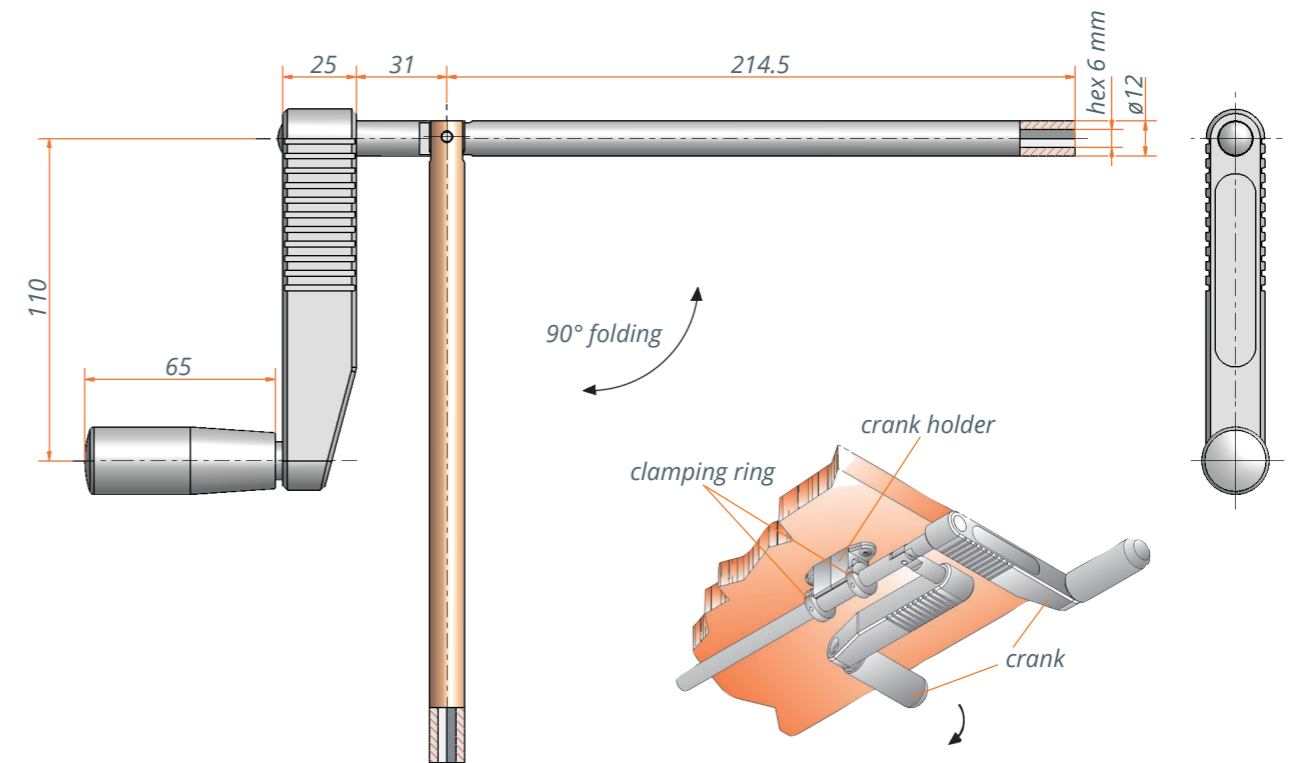
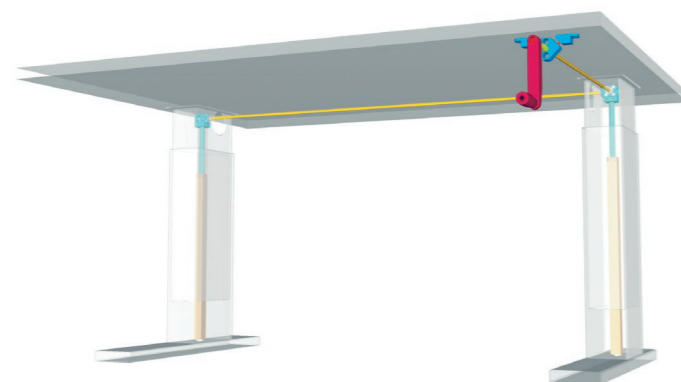
Special features

- Modern design
- Can be folded by 90°.
- On request, the type and the length of the hexagonal bolt as well as the colour of the crank body can be produced to customer specifications
- On request, an own logotype is possible

Technical data

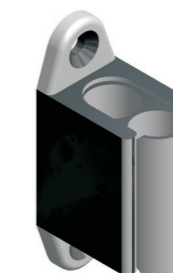
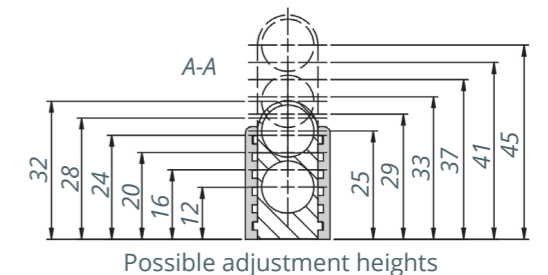
Model	5186
Crank extension	110 mm
Type of hexagonal bolt	Inner hex 6 mm
Dynamic torque	2 Nm

Application example

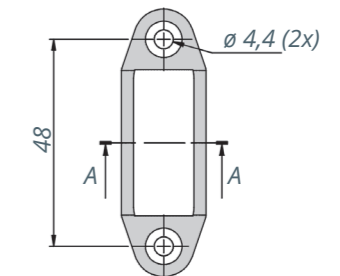


Technical notes

- Crank holder, made of black synthetic material, for a 12 mm diameter crank shaft. The holder can be adjusted from a height of 12 mm up to 45 mm.
- Clamping ring, made of black synthetic material, for shaft with diameter 12 mm. You need 2 clamping rings to secure the crank shaft on the crank holder. The fixing nut is enclosed.



Crank holder
Order number 5186.19-0000



Clamping ring
Order number 5186.10-0001

