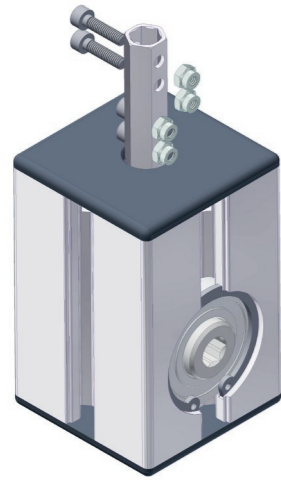


Bevel gearbox 3875



Description

Bevel gearbox for the deflection of a rotary movement at an angle of 90°. Ideally suited for the adjustment of large parasols. Special bevel gear toothing ensures smooth running of the gearbox. Drive and output can be modified for custom applications. The gearbox can be combined with any spindle.

Special features

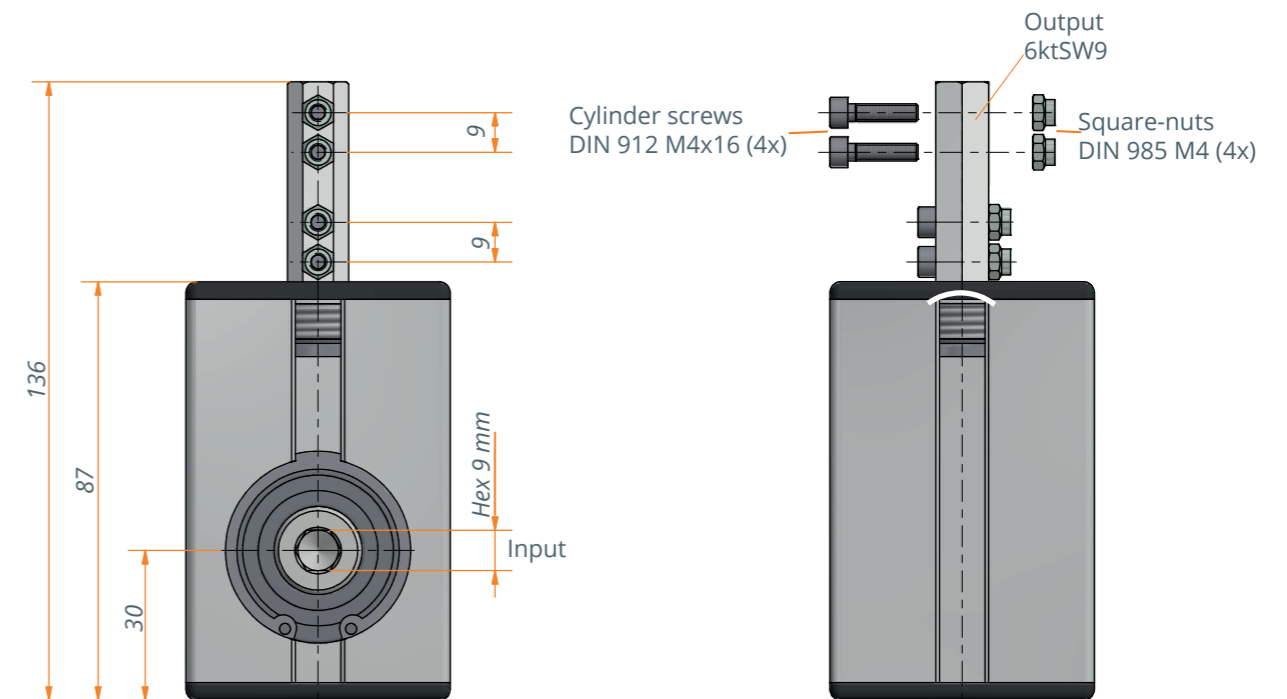
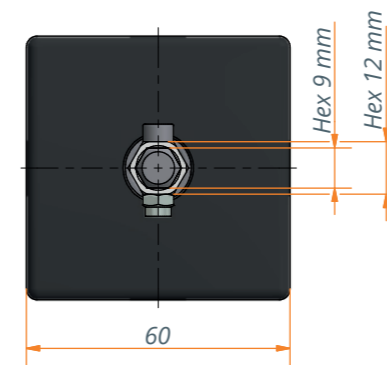
- Maintenance-free
- Case-hardened bevel wheels
- Housing made of aluminium profile
- Construction size 60 x 60 mm
- Ratio 1:1.5
- Max. drive torque 8 Nm
- Designed for the manual operation



Technical data

Model	3875.00-1000
Ratio	1:1.5
Input	Hex 9 mm
Output	Hex 9 mm
Number of cog wheels	2
Housing material	Aluminium profil
Max. drive torque	8 Nm
Max. tensile load static short term*	7,500 N
Max. pressure load static short term*	9,000 N

* Peak load, e.g. caused by gusts of wind



Technical notes

- Depending of the spindle pitch the self-locking of the system must be checked