

Bevel gear with spindle unit 3824



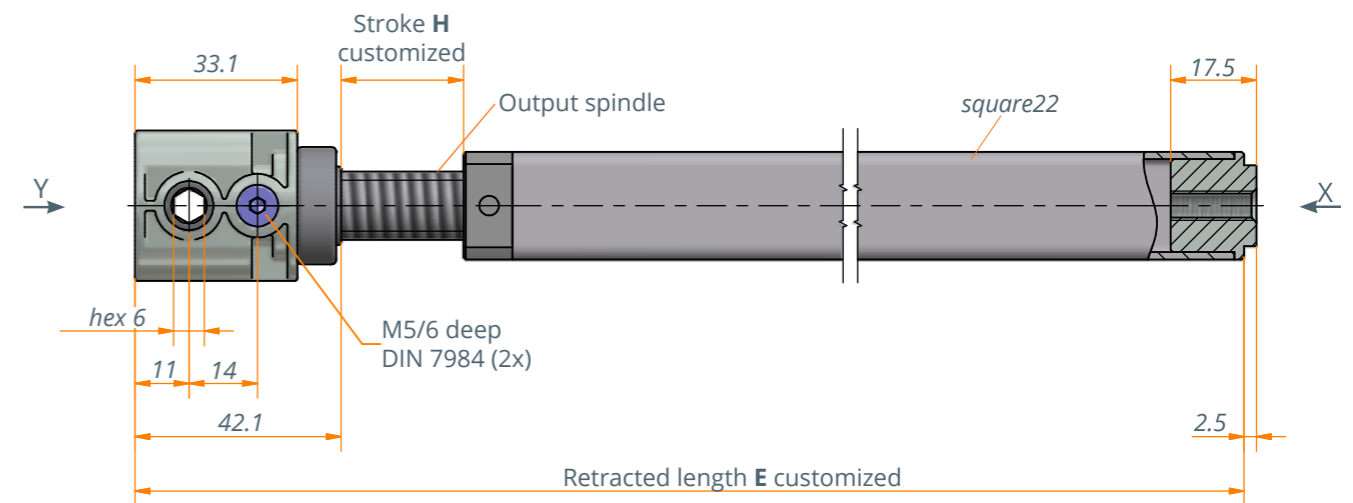
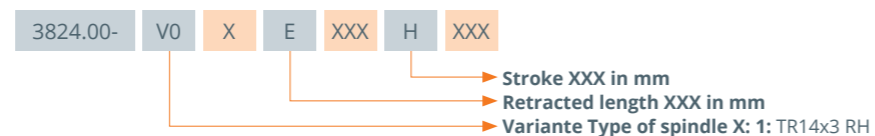
Description

Lifting unit with bevel gear head for linear drive solutions. The gear is ideal for installation in round tubes with inside diameter of 31 mm. Possible applications are height adjustable tables as well as various adjustment functions for other furniture items.

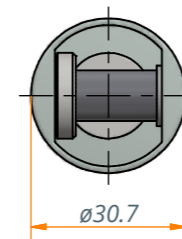
Special features

- Maintenance-free
- Ratio 1:1
- Drive torque on gear head for application with several spindle units: max. 3 Nm
- Housing made of die-cast-zinc
- Hardened steel bevel wheels with robust, reinforced toothing
- Suitable for manual use
- Various construction lengths and spindle pitches available

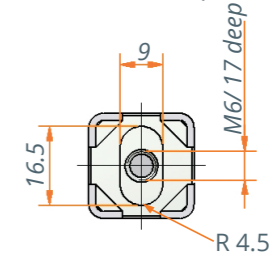
Variant key



View Y



View X
(Rotation stop)



Technical data

Model	3824.00-V01EXXXHXXX
Ratio	1:1
Input	hex 6 mm
Type of spindle	TR14x3 RH
Travel path	3 mm/rotation
Traverse speed*	6 mm/ s
Max. stroke	retracted length -98 mm
Max. lifting force	1200 N
Required drive torque	2 Nm
Max. drive torque	3 Nm

* In connection with motor 3143.00 - V0X and LogicData control box Compact-3

Technical notes

- The lifting units must be protected against lateral forces by a separate guide system.
- Attention: The spindle systems with a spindle pitch ≥ 3 mm may not be self-locking. Check the self-locking effect in the application.
- The lifting unit is only pressure loadable.
- Incorrect dimensioning of the guide system can damage the lifting unit: Please note the design and safety instructions for spindle drives. You will find them at: <https://www.ketterer.de/en/downloads/instructions>

Application example

