

Inline spindle drive 3120

Description

Motorized solution for the individual sit-stand workplace. Stepless height adjustment to customer specific stroke.
A slender design allows to integrate the complete inline actuator into the tube of a table leg.

Special features

- Simple mounting
- Integrated position measuring system
- Single telescopic function
- Various spindle lengths and different spindle pitches are possible

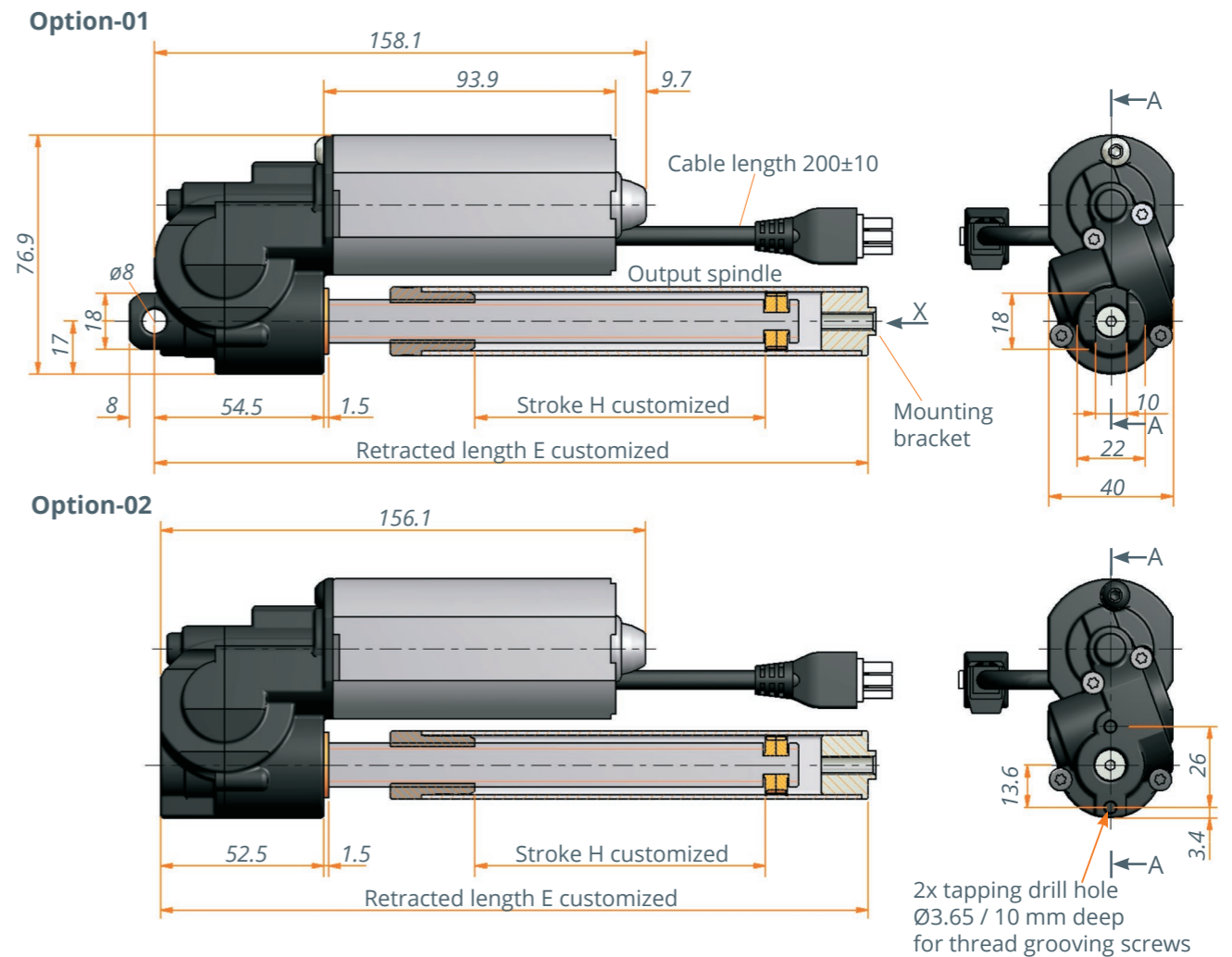


Technical data

Model	3120.00-V01EXXXHXXX	3120.00-V02EXXXHXXX
Motor	DC Motor 24 V	DC Motor 24 V
Sensor/Power supply	Hall/5 V DC/0.3 A	Hall/5 V DC/0.3 A
Protection class	IP30	IP30
Duty cycle	20% (at 5 min.)	20% (at 5 min.)
Idle running speed	100 rpm (24 V) 150 rpm *	100 rpm (24 V) 150 rpm *
Max. stroke	Retracted length -111 mm	Retracted length -109 mm
Type of spindle	SG14x16P4 RH **	SG14x16P4 RH **
Max. lifting force	800 N	800 N
Max. drive torque	3 Nm	3 Nm
Movement speed	43 mm/s	43 mm/s

* In combination with LogicData control box Compact-3

** Further types of spindles on request



Technical notes

- Depending on the the spindle pitch, the system could back-drive.

