

Bevel gear with spindle unit 3070/ 3071



Description

Universally applicable lifting unit with bevel gear head for linear drive solutions. Possible applications are various adjustment functions for furniture items as well as all manner of linear adjustment in residential, mobile home or industrial fields. Particularly appropriate as a component for "heavy load solutions" for office furniture and workplace applications. The designs with up to four drive wheels offer broad application opportunities for the lifting unit and high flexibility in system design.

Special features

- Maintenance-free
- Ratio in direction of spindle 1.83:1
- Housing made of die-cast-zinc
- Hardened steel bevel wheels with robust, reinforced tooting
- Drive torque on gear head for application with several spindle units: max. 10 Nm
- Suitable for electromotive drives
- High flexibility through variable number of drive wheels for deflection of movement
- Available in different spindle pitches and with customer specific construction lengths

Variant key

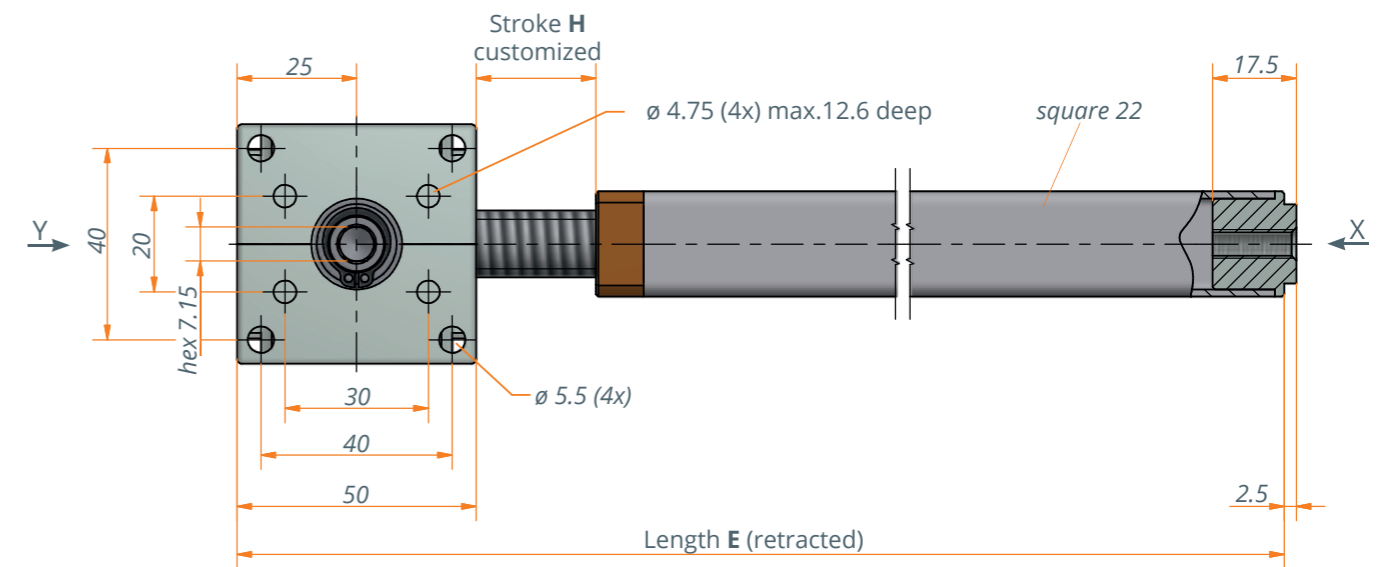
3070: variants with right rotating spindles

3071: variants with left rotating spindles

Technical data

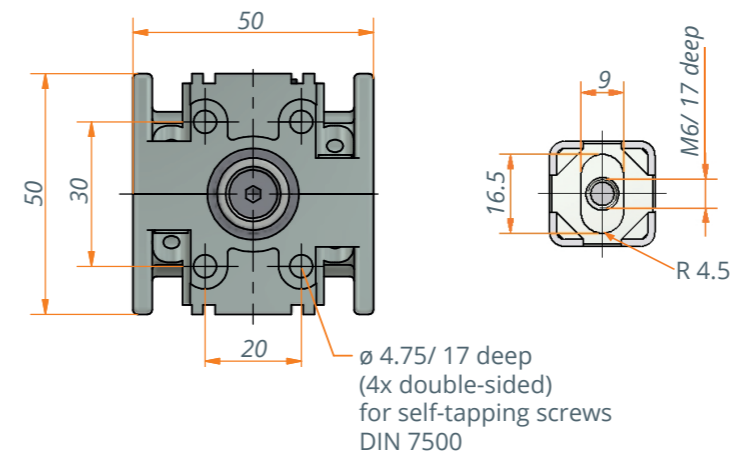
Model	3070	3071
Ratio in direction of spindle	1.83:1	1.83:1
Input	hex 7 mm	hex 7 mm
Number of Inputs	max. 5	max. 5
Type of spindle	SG12x12P4 RH clockwise	SG12x12P4 RH counter-clockwise
Travel path	6.6 mm/rotation	6.6 mm/rotation
Traverse speed*	13 mm/s	13 mm/s
Max. stroke H	retracted length -105 mm	retracted length -105mm
Max. lifting force	1200 N	1200 N
Required drive torque	2 Nm	2 Nm
Max. drive torque gear head for several spindle units	10 Nm	10 Nm

* In combination with motor drive 3143.00-V0X and LogicData control box Compact-3

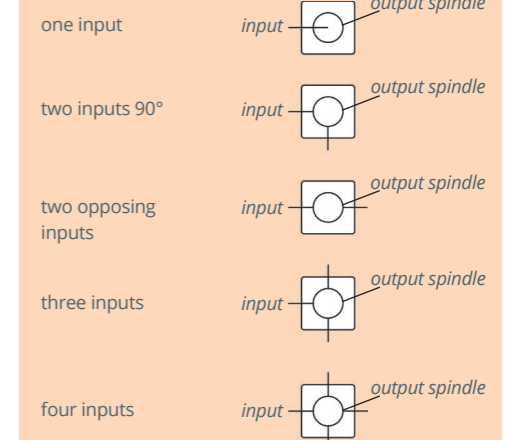


View Y

View X
(Rotation stop)



Variants:



Technical notes

- The lifting units must be protected against lateral forces by a separate guide system.
- Attention: The spindle systems with a spindle pitch ≥ 3 mm may not be self-locking. Check the self-locking effect in the application.
- The lifting unit is only pressure loadable.
- If several lifting units are being used simultaneously in the application, note the max. drive torque on gear head of 10 Nm!
- Incorrect dimensioning of the guide system can damage the lifting unit: Please note the design and safety instructions for spindle drives. You will find them at: [https:// www.ketterer.de/en/downloads/instructions](https://www.ketterer.de/en/downloads/instructions)

Application example

