

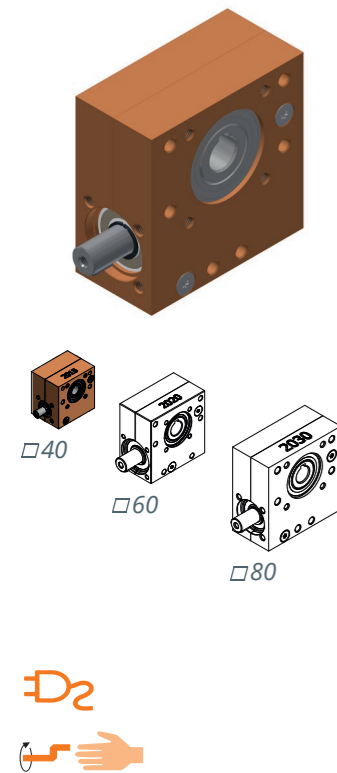
# Worm gear Ket-Motion 2015

with feather key groove

Universally usable and maintenance-free worm gear with an **axis distance of 15 mm** and with nine different reduction ratios. The housing is encapsulated to prevent the escape of grease and the ingress of dust. The worm gear pair is left-handed. The direction of rotation on the shaft is arbitrary.

## Special features

- **Axis distance 15 mm**
- Maintenance-free grease lubrication
- Housing anodized aluminum, orange as standard, other colors possible to suit customer requirement
- 7 reduction ratios from 1:1 to 47:1
- Backlash on the output shaft  $1^\circ \pm 0.5^\circ$
- Duty cycle 20 % for 5 min (1 min ON, 4 min OFF)
- Service life of 1,000 hours with:
  - full load and
  - input speed of 500 rpm and
  - duty cycle 20 % for 5 min and
  - ambient temperature 20 °C



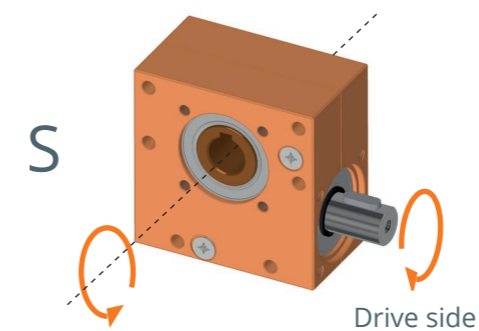
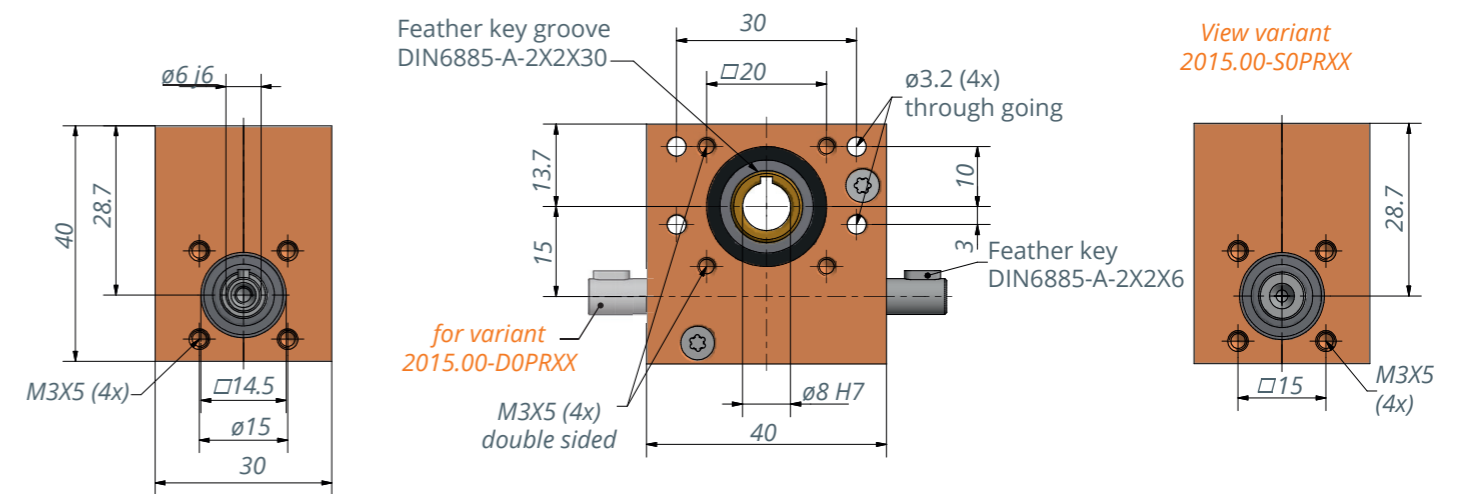
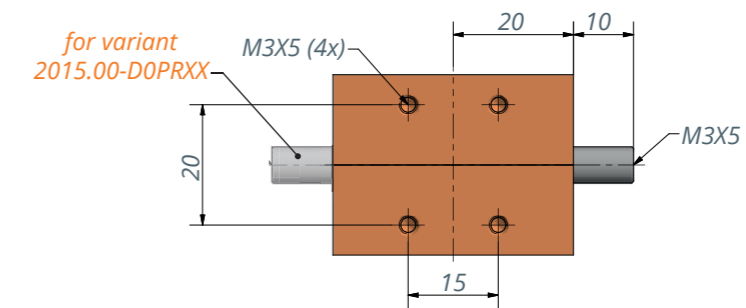
## Variant key

- Variant 2015.00-S0PRXX with one drive pin
- Variant 2015.00-D0PRXX with through going axis

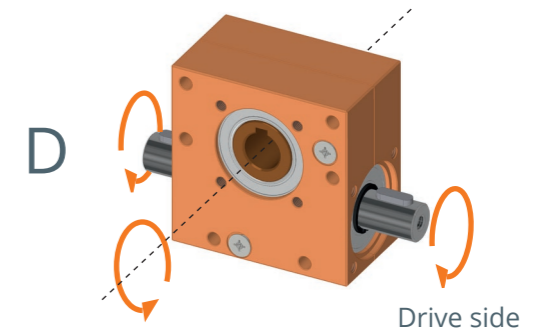
## Technical data

Item number	Ratio $i$	Self-locking static	Output-speed $n$ in $\text{min}^{-1}$	Max. output-torque $M$ in Nm	Max. drive-torque $M$ in Nm	Drive side		Degree of efficiency %
						Radial-force <sup>1)</sup> $F_R$ in N	Axial-force <sup>2)</sup> $F_A$ in N	
2015.00-S0PR47	47 : 1	Yes	100/500/1000	1.7/1.4/1.2	0.11/0.09/0.08	200	200	34
2015.00-D0PR47								
2015.00-S0PR40	40 : 1	Yes	100/500/1000	1.7/1.6/1.5	0.15/0.14/0.13	150	150	29
2015.00-D0PR40								
2015.00-S0PR30	30 : 1	Yes	100/500/1000	2.6/2.3/2.0	0.20/0.18/0.16	100	100	43
2015.00-D0PR30								
2015.00-S0PR18	18 : 1	No	100/500/1000	2.8/2.5/2.3	0.37/0.33/0.30	50	50	42
2015.00-D0PR18								
2015.00-S0PR12	12 : 1	No	100/500/1000	3.0/2.8/2.5	0.56/0.52/0.46	50	50	45
2015.00-D0PR12								
2015.00-S0PR05	5 : 1	No	100/500/1000	2.7/2.6/2.4	0.89/0.85/0.79	50	50	61
2015.00-D0PR05								
2015.00-S0PR01	1 : 1	No	100/500/1000	1.0/0.6/0.3	1.28/0.77/0.38	50	50	78
2015.00-D0PR01								

1) The values of  $F_R$  apply only when  $F_A = 0$  N  
2) The values of  $F_A$  apply only when  $F_R = 0$  N



Variant 2015.00-S0PRXX with one drive pin



Variant 2015.00-D0PRXX with through going axis

## Technical notes

- Permissible force on drive side:  $F_A = 200$  N when  $F_R = 0$  N and  $F_R = 200$  N when  $F_A = 0$  N
- The positions of the feather keys as standard in variant D are not in line. Possible on enquiry if needed