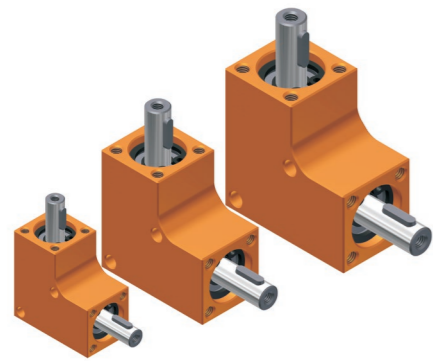


Angular gear Ket-Bee 200X L-Gearbox

A bevel gearbox family consisting of 8 sizes for versatile use as an angular gearbox.

The gearbox is characterised by a compact design with maximum torque, sturdiness and smooth power transmission. The uncomplicated mounting is made possible by a simple screw fixing.



Special features

- Maintenance-free and silent running
- Steel bevel wheels, case-hardened
- Aluminium housing, anodized (orange or silver)
- Ratio 1:1
- Permitted operating temp. -20°C to +60°C
- Backlash at drive shaft 3° ± 1°
- Duty cycle 20 % at 5 min (1 min ON, 4 min OFF)
- Lifetime of 1000 hours with:
 - full load and
 - input speed of 500 rpm and
 - duty cycle 20% with 5 min

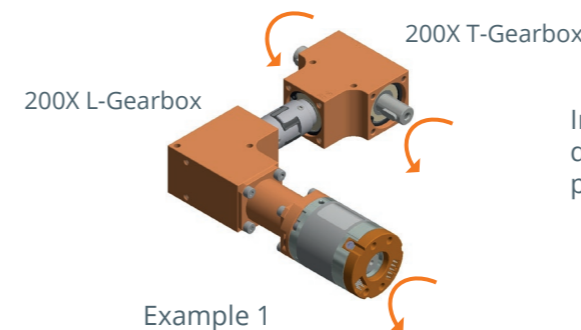


Ket-Bee L-Gearbox 90°		Max. torque (Speed-dependent)									
2000.00-	0.04 bis 0.28	Nm	□ 15 mm	26 mm							
2001.00-	0.05 bis 0.35	Nm	□ 18 mm	32 mm							
2002.00-	0.15 bis 0.75	Nm	□ 20 mm	35 mm							
2003.00-	0.50 bis 2.50	Nm	□ 24 mm	42 mm							
2004.00-	0.75 bis 4	Nm	□ 26 mm	46 mm							
2005.00-	1 bis 5	Nm	□ 30 mm	53 mm							
2006.00-	1.5 bis 8	Nm	□ 32 mm	56 mm							
2007.00-	2 bis 10	Nm	□ 35 mm	60 mm							
Gearboxtype											
L L-Gearbox: Angular gearbox 90°											
Housing: Material & Optics											
0 Alu, orange anodized (standard)											
1 Alu, silver anodized											
X _i Alu, Color according to customer requirements											
Configuration of shaft											
A All as solid shaft with feather key (at 2000 gearbox no feather key possible)											
Shaft Ø in mm per gearbox-type (m)											
XX Shafts-Ø = m (Table) (e.g.: „06“ for 2001.00)											
			<i>m_i for 2000</i>	<i>m_i for 2001</i>	<i>m_i for 2002</i>	<i>m_i for 2003</i>	<i>m_i for 2004</i>	<i>m_i for 2005</i>	<i>m_i for 2006</i>	<i>m_i for 2007</i>	
			04	06	06	08	08	08	10	12	mm
					08	10	12	12	12	12	
Ratio R											
R1 i = 1:1											
2002.00-	L	0	A	06	R1	Example: 2002.00-L0A06R1					

Item.-Nr.	Speed n in rpm	Max. torque M in Nm	Radial and axial load* F _R in N	F _A in N	Part weight in kg
2000.00-LXAXXR1	100/500/1000	0.28/0.08/0.04	48	48	0.029
2001.00-LXAXXR1	100/500/1000	0.35/0.1/0.05	60	60	0.052
2002.00-LXAXXR1	100/500/1000	0.75/0.3/0.15	100	100	0.073
2003.00-LXAXXR1	100/500/1000	2.5/1/0.5	120	120	0.142
2004.00-LXAXXR1	100/500/1000	4/1.5/0.75	140	140	0.189
2005.00-LXAXXR1	100/500/1000	5/2/1	240	240	0.268
2006.00-LXAXXR1	100/500/1000	8/3/1.5	550	550	0.330
2007.00-LXAXXR1	100/500/1000	10/4/2	550	550	0.395

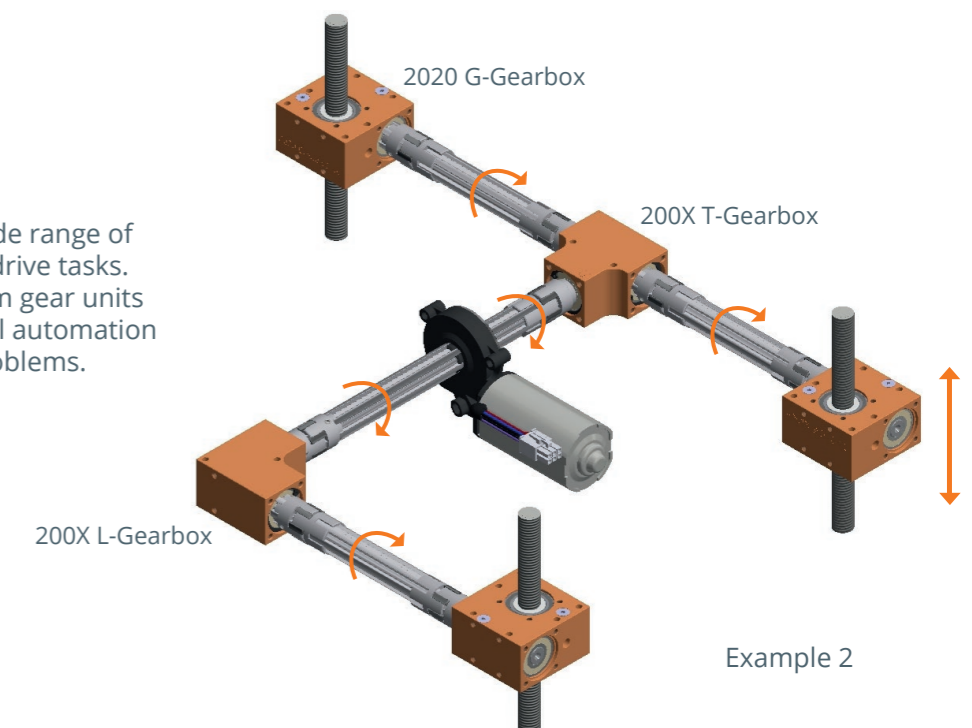
* The values of F_R apply only when F_A = 0 N
The values of F_A apply only when F_R = 0 N

Application example

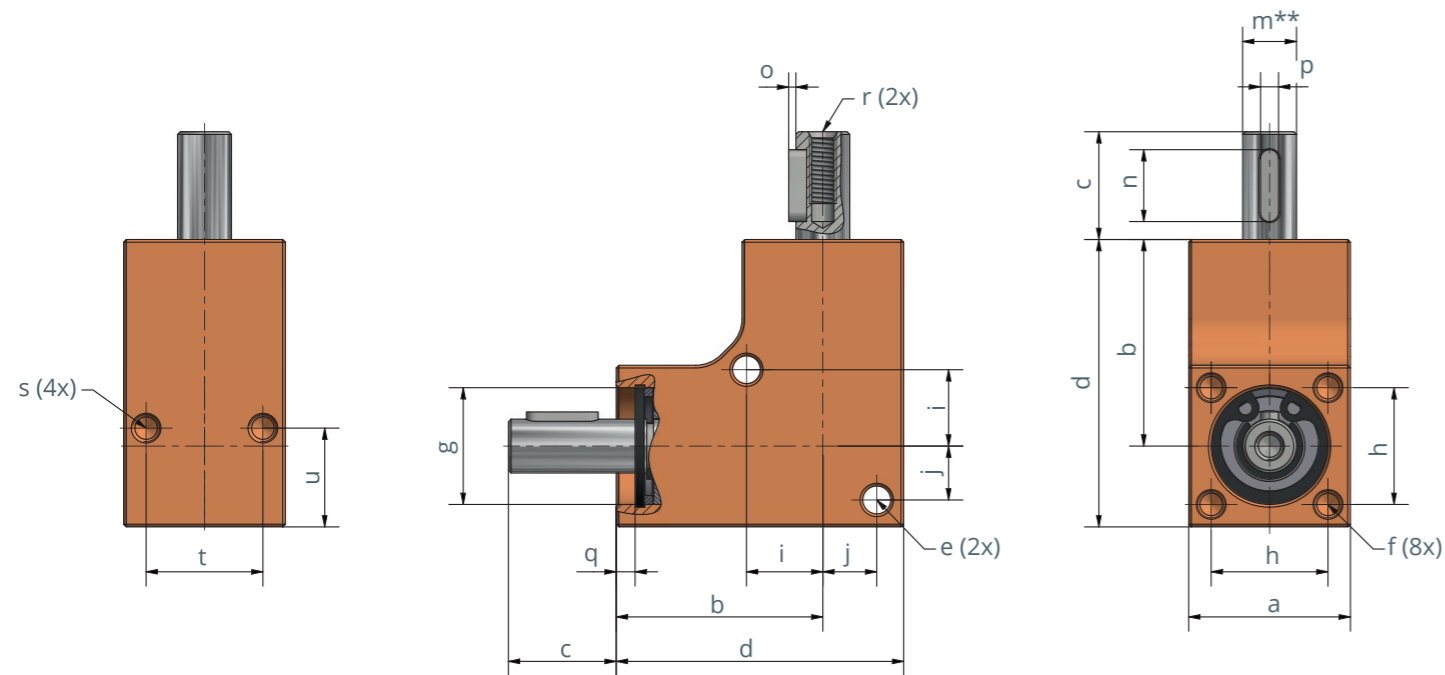


In our Ket-Bee family we offer gearboxes for a simple 90° deflection (200x L-gearbox) as well as for a splitting of the power transmission to two drives (200x T-gearbox)

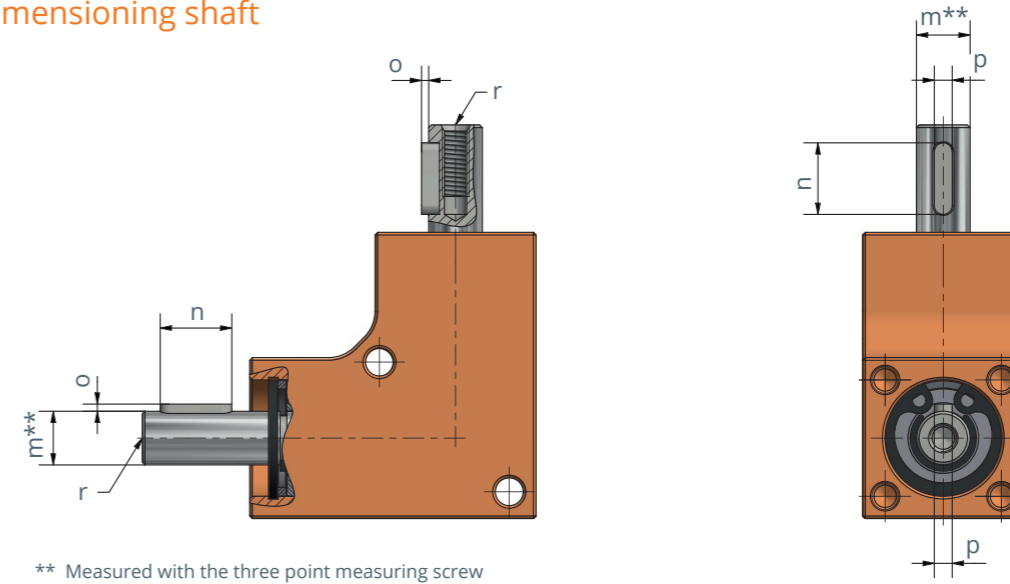
Our standard components offer a wide range of options for efficiently implementing drive tasks. Thanks to numerous variants of worm gear units from the Ket-Motion series, almost all automation tasks can be handled without any problems.



Dimensioning general



Dimensioning shaft



Dimensioning of the shaft of gearbox type 2000.00-LXA04R1



Gearbox-type	Dimensions in mm												
	a	b	d	e	f	g	h	i	j	q	s	t	u
2000	15	18.5	26	ø2.6	M2.5x5	ø11	11	8	4.5	1.1	M2.5x5	11	9
2001	18	23	32	ø3.1	M3x10	ø13	13	8.5	6	2.1	M3x6	13	11
2002	20	25	35	ø3.1	M3x10	ø16	15	10	7	2.05	M3x6	15	10
2003	24	30	42	ø4.1	M4x10	ø19	18	12	8	2	M4x8	18	16
2004	26	33	46	ø4.1	M4x10	ø21	20	13	9	2	M4x8	20	16
2005	30	38	53	ø4.1	M4x10	ø24	22	15	11	2.1	M4x8	22	16
2006	32	40	56	ø4.1	M4x10	ø28	24	17	12	2.1	M4x8	24	16
2007	35	42.5	60	ø4.1	M4x10	ø30	26	17.5	13.5	2.1	M4x8	26	16

Gearboxtype	ø Shaft	Shaft-length c	Dimensions featherkey			Threaded hole inside	Item- Nr.
	m**		n	o	p	r	
2000	ø4j5	10	-	-	-	M2.5x5	2000.00-LXA04R1
2001	ø6j6	12	8	0.8	2	M3x8	2001.00-LXA06R1
2002	ø6j6 ø8j6	12 12	8 8	0.8 0.8	2 2	M3x6 M3x8	2002.00-LXA06R1 2002.00-LXA08R1
2003	ø8j6 ø10j6	16 16	10 12	1.2 1.5	3 4	M4x8 M4x8	2003.00-LXA08R1 2003.00-LXA10R1
2004	ø8j6 ø12j6	16 16	10 12	1.2 1.5	3 4	M4x8 M5x8	2004.00-LXA08R1 2004.00-LXA12R1
2005	ø8j6 ø12j6	16 16	10 12	1.2 1.5	3 4	M4x8 M5x8	2005.00-LXA08R1 2005.00-LXA12R1
2006	ø10j6 ø12j6	16 16	10 12	1.2 1.5	3 4	M4x8 M5x8	2006.00-LXA10R1 2006.00-LXA12R1
2007	ø12j6	16	12	1.5	4	M5x8	2007.00-LXA12R1