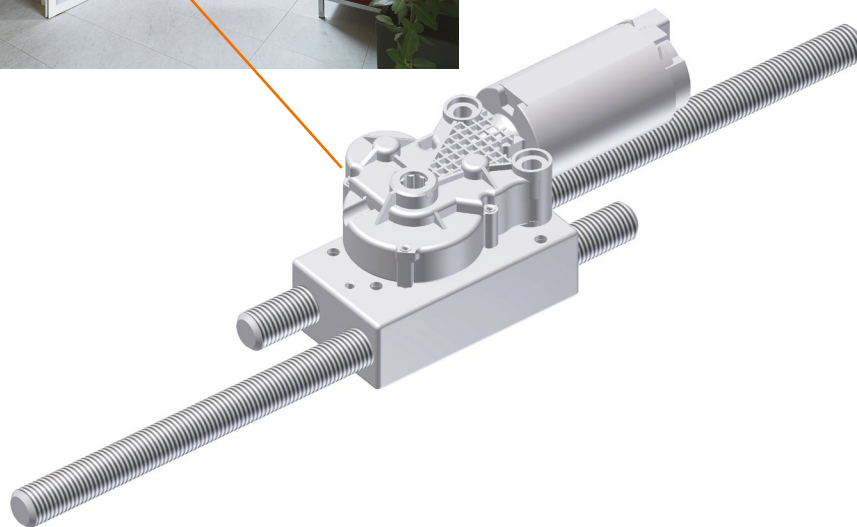


## Double-Thrust Spindle Drives



Kundenapplikation

104415

40 mm  
|-----|

### Double-thrust spindle drives for example, for doors

Whether in public administration or in industry, one doesn't have to look far to find applications that require opposing motions. This is as true for doors that open in both directions as it is for a centrally adjustable side-lay in photocopier machines or packaging machines.

The Ketterer double-thrust spindle drive consists of a high-performance integrated gear with a motor drive. The quiet precision-shaft enables a high positioning accuracy. The freely configurable shaft-spindle nut combination allows the drive to

be adjusted to suit perfectly the demands of each situation.

This means that one drive only can be used to move doors, side-lays, etc. quickly, precisely and quietly.

See for yourself!