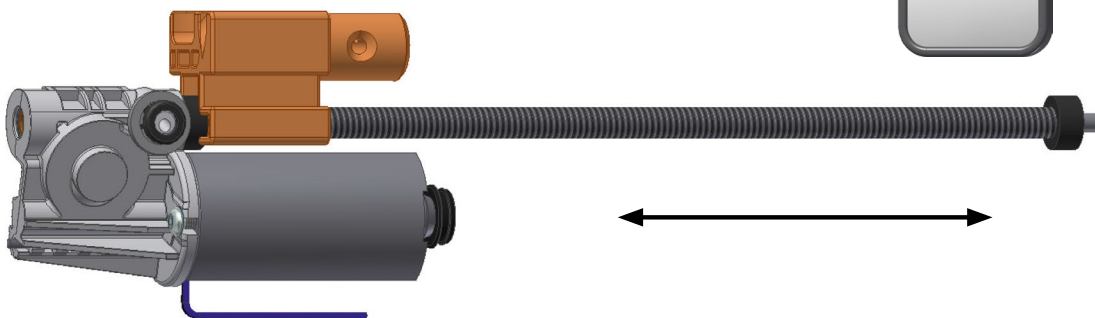


Exterior mirror adjuster for agricultural machinery



Customized Solution

100066



24 mm
|-----|

Quickly, flexibly and noiselessly adjust exterior mirrors

Commercial agricultural vehicles, such as tractors with trailers, must often maneuver backwards in places with a limited view. There isn't always a second person ready to help the driver. But even in urban environments, it is often difficult for transportation vehicles, buses or large trucks to maintain a view when reversing. That makes functional, flexible exterior mirrors all the more important.

With its innovative exterior mirror adjusters, Ketterer has developed a solution that ensures optimal and safe rear vision. The exterior mirror

can be completely extended or retracted from inside the vehicle in just six seconds by pressing a button – and with a very low noise level. This is made possible by a gear motor with a spindle and a spindle nut, producing a linear motion.

The gear unit is compact and can withstand temperatures of -27 to +60°C. Thanks to the robust design, the exterior mirror adjuster is virtually maintenance free.