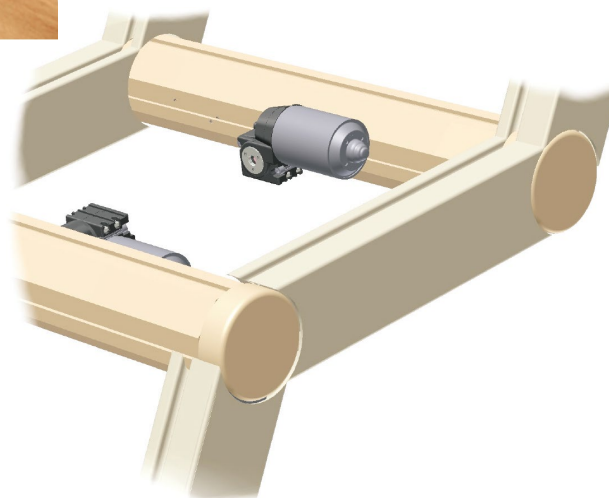


Special gear mechanism for armchair adjustment



Customized Solution

100042

- DC Motor 18 V
- Rotation speed 30 s for 90°
- Max. stall torque 1000 Nm
- Free wheel drive integrated

90 mm



Powerful gear mechanism for adjustable armchairs

Gone are the days when furniture was simply viewed as a home furnishing, because some modern furniture is extremely technically sophisticated. We are seeing more and more functional furniture on the market, especially seating, such as armchairs or beds.

Ketterer has developed a space-saving, quiet, special gear mechanism especially for electrically adjustable armchairs. This motor/gear unit allows the head and foot sections and the tilt of the seat itself to be adjusted in a continuously variable manner and independently of one another.

A special safety mechanism prevents body parts being jammed during adjustment. If the frame encounters resistance when moving, it will stop immediately. The drive unit is designed for a very high stopping torque.

This motor/gear unit can be used wherever high levels of force are needed in conjunction with rotation angles and high stopping torques. See for yourself and contact us!